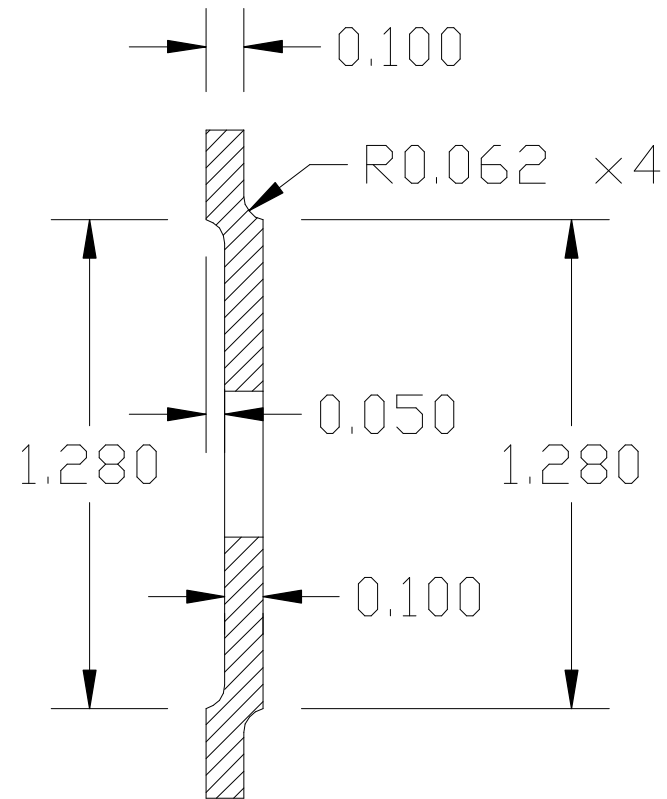
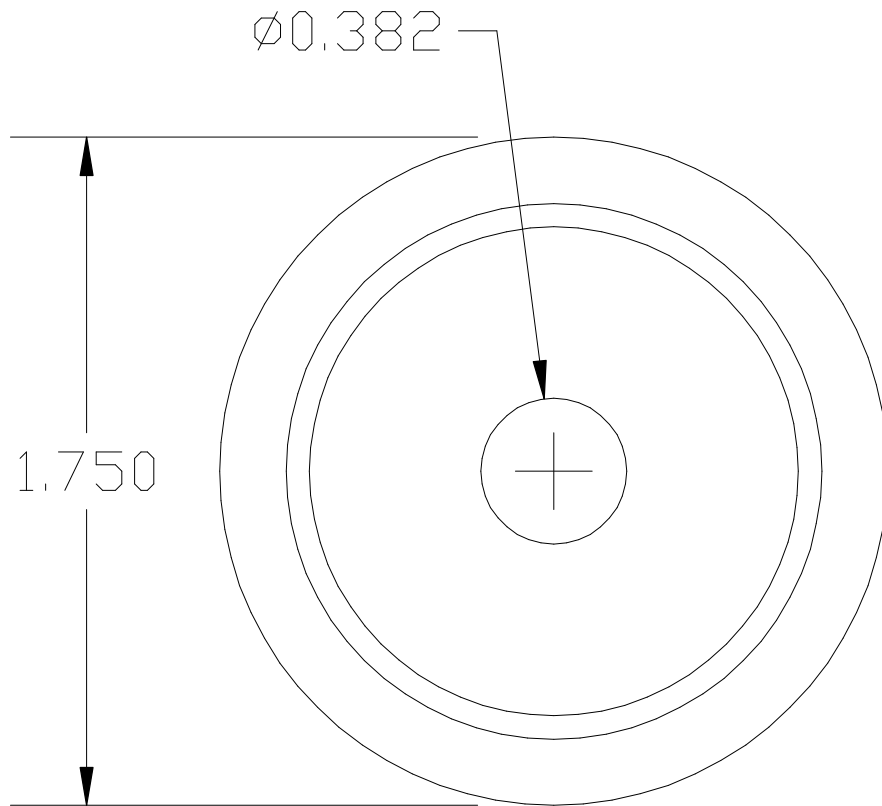


REVISIONS				
ZONE	REV	DESCRIPTION	DATE	APPROVED
	0	Original Drawing	7/11/2020	MED



D'ASARO DESIGNS

Replacement for Black and Decker 73566

FINISH
Bright Zinc

Tolerance:	
0.0	+/- 0.05
0.00	+/- 0.01
0.000	+/- 0.001

AUTHOR
Matthew D'Asaro

MATERIAL
Carbon Steel

SIZE
A

FSCM NO.
N/A

DWG NO.
73566

REV
0

SCALE ARB UNITS INCHES

SHEET 1/1