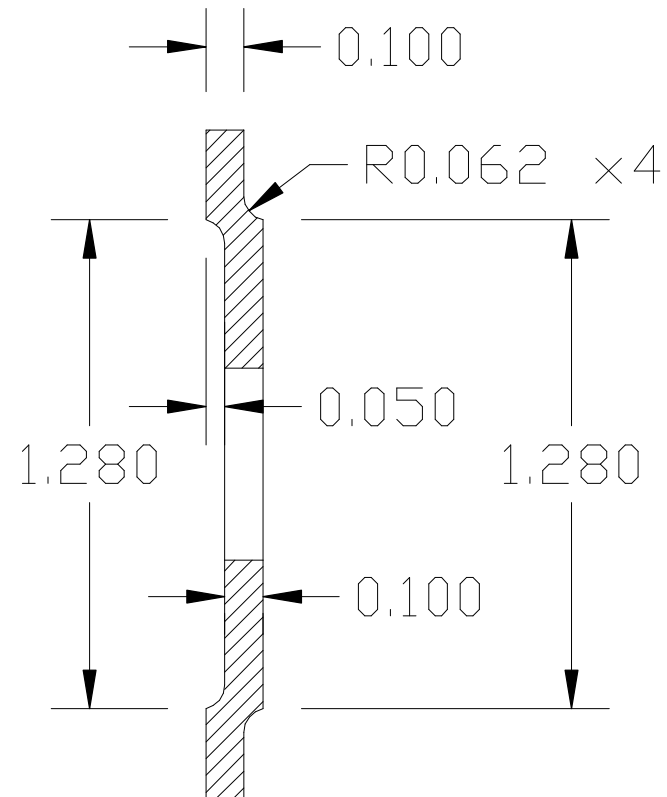
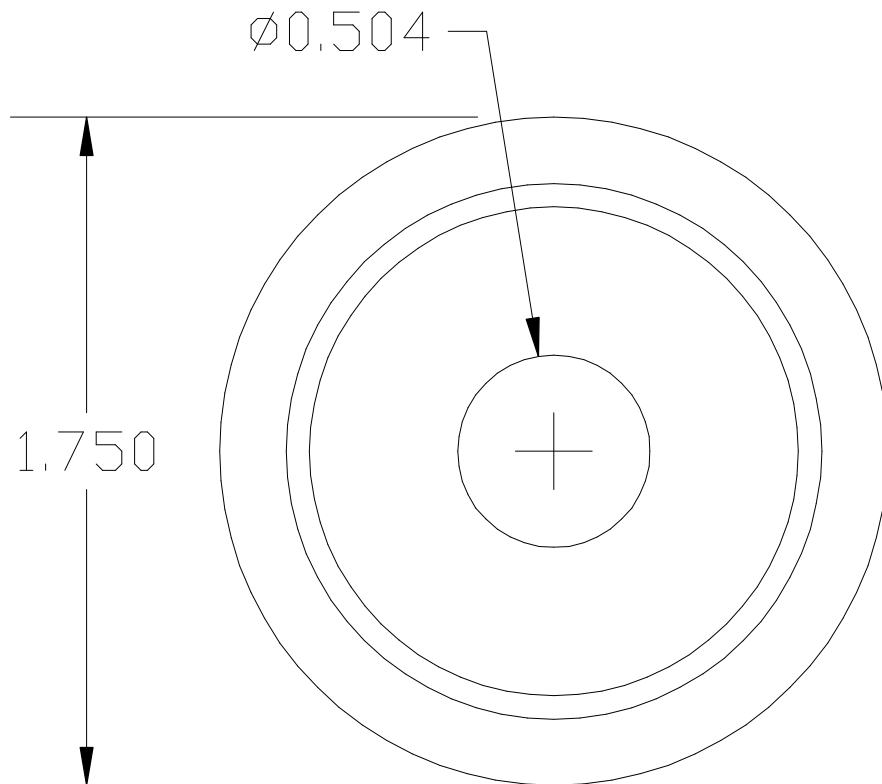


REVISIONS				
ZONE	REV	DESCRIPTION	DATE	APPROVED
	0	Original Drawing	7/11/2020	MED



D'ASARO DESIGNS

Replacement for Black and Decker 73074

Tolerance:	
0.0	+/- 0.05
0.00	+/- 0.01
0.000	+/- 0.001

FINISH
Black Oxide

AUTHOR Matthew D'Asaro	SIZE A	FSCM NO. N/A	DWG NO. 73074	REV 0
MATERIAL Carbon Steel	SCALE ARB	UNITS INCHES	SHEET 1/1	